

G.SHDSL .bis EFM/ATM VPN Router

Proscend 6200 Series

Description



Proscend 6200 G.SHDSL.bis EFM/ATM VPN Router provides secure and symmetrical high-speed connectivity over existing copper-line infrastructure that is ideal for SOHO and SME users. It features the latest G.Shdsl.bis technology supporting symmetrical upstream and downstream data rates up to 15.3Mbps/Pair (TC-PAM 128). Four pairs can be bonded together for aggregated bandwidth over 61Mbps. Proscend 6200 Series VPN Router operates the SHDSL link in either EFM mode or ATM mode. It is designed to deliver business class Ethernet Service under EFM mode while providing the flexibility to be compatible with the existing DSLAM infrastructure under ATM mode.

Proscend 6200 series supports flexible VPN applications including VPN pass-through, client-to-VPN gateway and VPN LAN-to-LAN connection. It features IPSec VPN up to 8 encrypted tunnels for secure data communications between remote sites, home offices, and mobile users across public IP networks like the Internet. It also supports up-to-date 3DES and AES for data encryptions as well as MD5/SHA-1 and manual/IKE key for authentication.

The Quality of Service (QoS) features allow users to allocate network resources effectively. By classifying the priority of services, the powerful bandwidth management functions increase efficiency on latency-sensitive applications such as VoIP, video streaming, video conferencing and interactive game.

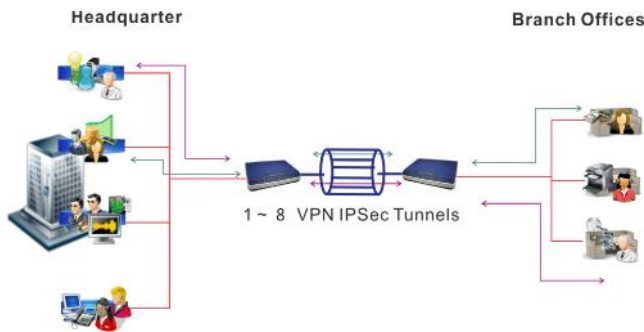
Proscend 6200 series enables service providers to offer symmetrical high-speed Ethernet service or point-to-point connectivity to their enterprise customers, each device can be set up as STU-R (SHDSL Transceiver Unit, Central site) or STU-R (SHDSL Transceiver Unit, Remote). It is the ideal copper-based Ethernet solution for quick deployment of standardized, reliable and secure services with comprehensive management options.

Features

- ✧ **Extending Ethernet Services to sites with existing copper infrastructure**
- ✧ **Business-class Ethernet services with flexibility of mapping user traffic into Ethernet flows**
- ✧ **EFM Bonding (Max.: TC-PAM 128, 4 pairs)**
- ✧ **Support ATM mode, EFM mode and auto detect mode**
- ✧ **IPSec VPN for safeguarded connections.**
- ✧ **Flexible and Rapid Service Deployment**
- ✧ **Low Delay, Jitter and Packet Loss for delay sensitive applications**

Applications

VPN IPsec Tunnels



Specification

Hardware Interfaces

WAN Interface

- SHDSL.bis: (ITU-T G.991.2 (2004) Annex A/B/F/G with G.994.1 activation supported)
- Support EFM Bonding and SHDSL M-Pair mode
- Line Code: TC-PAM 16/32/64/128
- Data Rate:
 - N x 64 Kbps (N=3~89) using TC-PAM 16/32
 - Max. 5.696Mbps (1-Pair)
 - Max. 11.392Mbps (2-Pair)
 - Max. 22.784Mbps(4-Pair)
 - N x 64 Kbps (N=3~239) using TC-PAM 64/128
 - Max. 15.296 Mbps (1-Pair)
 - Max. 30.592 Mbps (2-Pair)
 - Max. 61.184 Mbps(4-Pair)
- Impedance: 135 ohms.

LAN Interface

- 4-Ports 10/100M Switch, Auto-negotiation for 10/100Base-TX and Half/Full Duplex, Auto-MDIX Supported.
- IEEE 802.1D Transparent Learning Bridge.
- IEEE 802.1Q and Port Based VLAN.
- Up to 2K MAC Addresses.
- Spanning Tree Protocol (STP)

USB (Optional)

- Supports USB 2.0.
- Supports 3.5G

Serial Console

- RJ-45 Connector

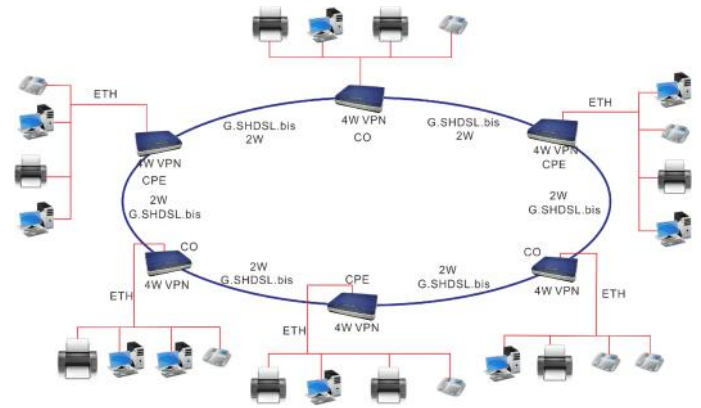
Factory Default Reset

- Push Button

LED

- Power (Green)
- WAN: LINK/ACT (Green), one LED per pair
- LAN (Port 1 ~ Port 4): LINK/ACT (Green)
- ALARM (Red)

Ring Topology



Network Protocol

- IPv4 (ARP/RARP, TCP/UDP,ICMP)
- DHCP Client/Server
- DNS Relay/Proxy, Dynamic DNS (DDNS)
- IGMP v1/v2/v3, IGMP Proxy, IGMP Snooping
- SNMP and UPnP

ATM

- 12 PVC
- OAM F4/F5 Loopback
- AAL5
- VC Multiplexing and SNAP/LLC
- EoA (RFC 2684/RFC1483), PPPoA (RFC 2364) and IPoA(RFC 1577)
- Multiple protocol over ATM AAL5(MPOA, REF1483/2684)
- QoS(UBR/CBR/VBR/VBR-RT)

PPP

- PPPoE
- PAP/CHAP/MS-CHAP/MS-CHAPv2

QoS

- 802.1P Tag
- IPv4 TOS/DiffServ
- Class-based Prioritization and Class-based Traffic Shaping
- Class-based DSCP Mark
- Up to 8 priority queues

VPN

- IPsec (RFC2411) up to 8 Tunnels
- DES/3DES/AES
- MD5/SHA-1 and IKE/Manual Key
- ISAKMP (RFC 2407/2408/4306) and IKE v1 (RFC 2409/4109)
- PSK
- L2TP/PPTP

Firewall

- SPI (Stateful Packet Inspection) and DoS (Denial of Service)
- DMZ
- Content Filtering, URL Blocking and Packet Filtering/Access Control List (ACL)

Management

- Management via Web, Telnet and CLI
- Support SSH (RFC4250/4251/4252/4253/4254/4255/4256)
- SNMP v1/v2c/v3 (RFC 1157/1901//1905) and MIB II (RFC 1213/1493)
- Syslog with Remote Logging support
- Firmware Upgrade via TFTP & FTP (CLI only)
- EFM Oam(802.3ah optional - not available in current firmware)
- Ethernet Oam (802.3ag optional - not available in current firmware)

Bridging and VLAN

- IEEE 802.1D Transparent Learning Bridge
- IEEE 802.1Q and Port Based VLAN
- Spanning Tree Protocol (STP)
- Up to 2K Mac Address

Routing

- Static routing and RIP v1/v2(RFC 1058/2453)
- NAT/PAT (RFC1631)
- NAT Application Level Gateways
- Skype/MSN/Yahoo Messenger (RFC2933)
- VoIP(SIP) pass through and VPN PPTP/L2TP pass through
- Virtual Server

Operating Environment

- Operating Temperature: 0~50°C
- Storage Temperature: -20 °C~70°C
- Operating Humidity: 20%~95% (non-condensing)

Regulatory

- ISO 9001 Quality Management
- CE Approval & EN60950 Certificate

Physical / Electrical

- Dimensions: 18.7 x 3.3 x 14.5cm (WxHxD)
- Power: 100~240VAC (via power adapter)
- Power Consumption: 12 watts Max

Order Information

Model	6200-2W	6200-4W	6200-8W
Specification			
Maximum DSL wires	2-wires	4 -wires	8-wires
Maximum data rate	5.696 Mbps	11.392 Mbps	22.784 Mbps
USB port	Optional (USB 2.0)		

* Features and specifications are subject to change without prior notice.

PROSCEND[®]
Proscend Communications Inc.

2F, No.36, Industry East Road IV, Hsinchu Science Park, Hsinchu, Taiwan. 300
Tel: +886-3-5639000 Fax: +886-3-5633830 Email: sales@proscend.com

www.proscend.com